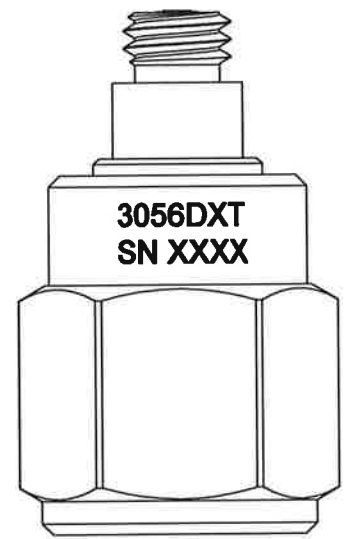
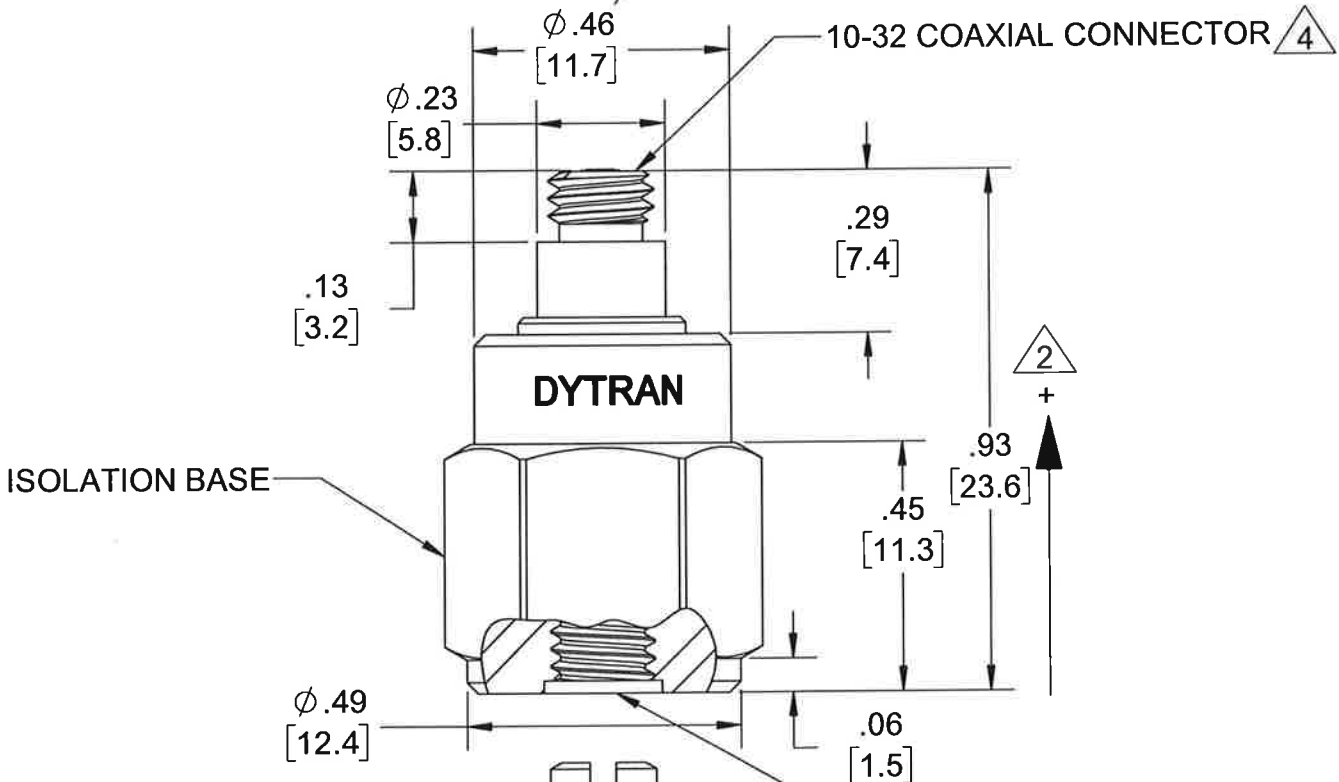
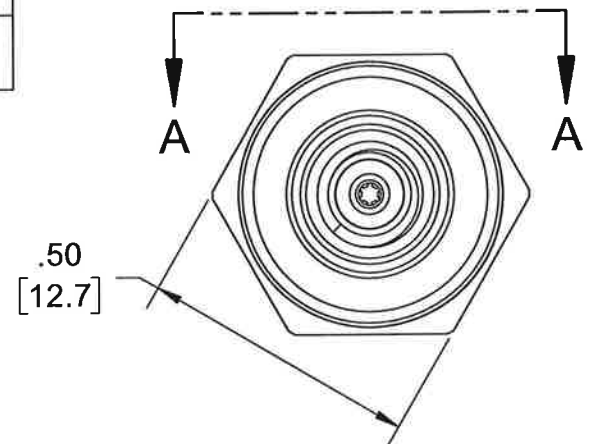


PROPRIETARY AND CONFIDENTIAL

THE INFORMATION CONTAINED IN THIS DRAWING IS THE SOLE PROPERTY OF DYTRAN INSTRUMENTS INC. ANY REPRODUCTION IN PART OR AS A WHOLE WITHOUT THE WRITTEN PERMISSION OF DYTRAN INSTRUMENTS INC. IS PROHIBITED

MODEL	SENSITIVITY
3056D1T	10 mV/g
3056D2T	100 mV/g
3056D3T	500 mV/g
3056D4T	20 mV/g
3056D5T	50 mV/g
3056D6T	200 mV/g
3056D7T	1 mV/g
3056D8T	5 mV/g

REVISIONS					
REV.	ECN	DESCRIPTION	BY/DATE	CHK	APPR
A	11394	INITIAL RELEASE	RA 11/06/14	EM	DV
B	11983	ADDED 3056D7T & D8T	LA 05/18/15	RT	DV
C	12426	ADDED VIEW A-A, REMOVED ISOMETRIC VIEW	RA, 01/06/16	EM	W



6200 MTG STUD PROVIDED

10-32 UNC-2B ∇ .12
 \square ϕ .22 ∇ .02

MOUNTING SURFACE HOLE PREPARATION:
SELECT SURFACE FLAT TO .001 TIR
TAP 10-32 UNF-2B X .200 MIN THD DEPTH

4 MATES WITH DYTRAN 6010AXX OR 6011AXX CABLE (XX=LENGTH IS FEET)

3. WEIGHT: 10 GRAMS (APPROX)

2 ARROW INDICATES ACCELERATION DIRECTION FOR POSITIVE OUTPUT.

1. MATERIAL: TITANIUM ALLOY

NOTES: UNLESS OTHERWISE SPECIFIED

UNLESS OTHERWISE SPECIFIED: INTERPRET DIM & TOL PER ASME Y14.5M - 1994. REMOVE BURRS. COUNTERSINK INTERNAL THDS 90° TO MAJOR DIA. CHAM EXT THDS 45° TO MINOR DIA. THD LENGTHS AND DEPTHS ARE FOR MIN FULL THDS. DIMENSIONS APPLY AFTER FINISHING.

UNLESS OTHERWISE SPECIFIED: DIMENSIONS ARE IN INCHES. TOLERANCES ARE:

DECIMALS	METRIC	ANGLES
.XX ±.03	.X ±.08	±1°
.XXX ±.010	.XX ±0.25	

APPROVALS		DATE
ORIG	RA	10/29/14
CHK	EM	12/12/14
APP	DV	12/17/14

ALL MACHINED SURFACES. TOTAL RUNOUT WITHIN .005. BREAK SHARP EDGES .005 TO .010. MACHINED FILLET RADII .005 TO .015. WELDING SYMBOLS PER AWS A2.4. ABBREVIATIONS PER MIL-STD-12.

DO NOT SCALE DRAWING

THIRD ANGLE PROJECTION USA

DYTRAN INSTRUMENTS, INC. Chatsworth, CA

MASTER ONLY IF IN RED

TITLE: **OUTLINE/INSTALLATION, MODEL 3056DXT**

SIZE B	CAGE CODE 2W033	DWG NO 127-3056DT	REV C
SCALE: 3:1	PART NO:	SHEET 1 OF 1	



- HERMETICALLY SEALED
- BASE ISOLATED
- TEDS

PHYSICAL

Weight
Connector Type
Mounting Provision
Material, Housing/Connector
Sensing Element
Element Style

ENGLISH		SI	
0.35	oz	10	grams
10-32		10-32	
10-32 X .150 ↓		10-32 X .150 ↓	
Titanium		Titanium	
Ceramic		Ceramic	
Planar Shear		Planar Shear	

PERFORMANCE

Sensitivity, ±5% [1]
Range for ± 5 Volts Output
Frequency Response, ±10%
Resonant Frequency
Broad Band Resolution
Linearity [2]
Maximum Transverse Sensitivity
Strain Sensitivity @ 250µε

20	mV/G	2.0	mV/m/s ²
250	G peak	2453	m/s ²
1 to 10,000	Hz	1 to 10,000	Hz
> 36	kHz	> 36	kHz
0.0020	G rms	0.0196	m/s ² rms
±1	% F.S.	±1	% F.S.
5	%	5	%
0.001	G/µε	0.01	m/s ² /µε

ENVIRONMENTAL

Maximum Vibration
Maximum Shock
Operating Temperature Range
TEDS Operating Temperature
Seal

600	G peak	5886	m/s ² peak
2000	G peak	19620	m/s ² peak
-60 to +250	°F	-51 to 121	°C
-40 to +185	°F	-40 to +85	°C
HERMETIC		HERMETIC	

ELECTRICAL

Supply Current Range [3]
Compliance Voltage Range
Output Impedance, Typ
Bias Voltage
Discharge Time Constant
Electrical Isolation
TEDS

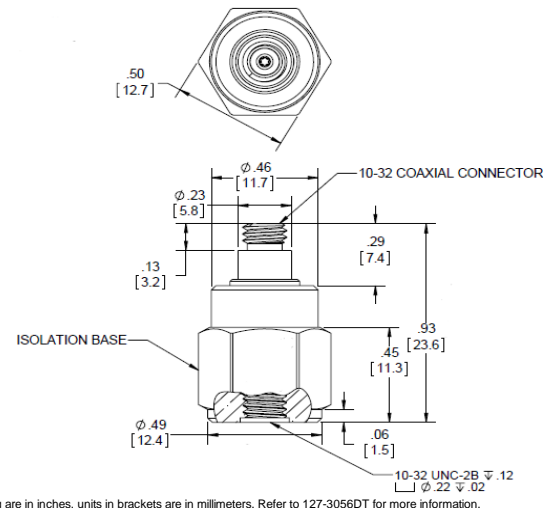
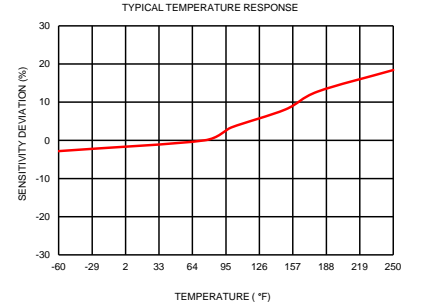
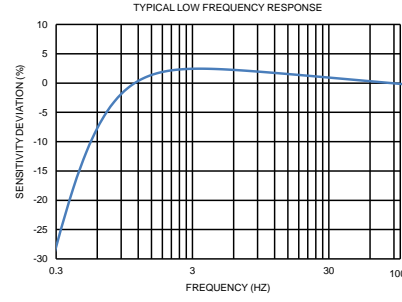
2 to 20	mA	2 to 20	mA
+18 to +30	Volts	+18 to +30	Volts
100	Ω	100	Ω
+9 to +13	VDC	+9 to +13	VDC
.5 to 1.5	Sec	.5 to 1.5	Sec
10	GΩ,min	10	GΩ,min
IEEE 1451.4		IEEE 1451.4	

This family also includes:

Model	Sensitivity (mV/g)	Frequency Response (Hz)	Time Constant (Sec)	Operating Temp (°F)
3056D1T	10	1 to 10000	0.5 to 1.5	-60 to +250
3056D2T	100	1 to 10000	0.5 to 1.5	-60 to +250
3056D3T	500	1 to 10000	0.5 to 1.5	-60 to +225
3056D5T	50	1 to 10000	0.5 to 1.5	-60 to +250
3056D6T	200	1 to 10000	0.5 to 1.5	-60 to +225
3056D7T	1	1 to 10000	0.5 to 1.5	-60 to +250
3056D8T	5	1 to 10000	0.5 to 1.5	-60 to +250

Refer to the performance specifications of the products in this family for detailed description

- Supplied Accessories:**
- 1) Accredited calibration certificate (ISO 17025)
 - 2) Model 6200 mounting stud, QTY 1
- Notes:**
- [1] Measured at 100Hz, 1 Grms per ISA RP 37.2.
 - [2] Measured using zero-based straight line method, % of F.S. or any lesser range.
 - [3] Do not apply power to this system without current limiting, 20 mA MAX. To do so will destroy the IC charge amplifier.
 - [4] In the interest of constant product improvement, we reserve the right to change specifications without notice.



Units on the line drawing are in inches, units in brackets are in millimeters. Refer to 127-3056DT for more information.

