

# MC36-100 SPECIFICATIONS

The MC36 is a six-axis transducer with threaded inserts in its top surface and a flanged base for t-slot mounting. A high-strength aluminum alloy (7075-T6) is used throughout to withstand harsh manufacturing and testing environments, and a steel base is available for use with magnetic chucks. A durable anodized finish protects the exterior from corrosion while elastomeric O-ring seals protect the strain gages and wiring. Internal potting of the strain gages further insures long life and consistent, reliable performance.



Units:  Capacity:

<b>Dimensions(WxLxH)</b>	127 x 152 x 79.25 mm	<b>IP Rating</b>	IP60
<b>Weight</b>	5 Kg.	<b>Sensing elements</b>	Strain gage bridge
<b>Channels</b>	Fx, Fy, Fz, Mx, My, Mz	<b>Amplifier</b>	Required
<b>Body Material</b>	Aluminum	<b>Analog outputs</b>	6 Channels
<b>Temperature range</b>	-17.78 to 51.67°C	<b>Digital outputs</b>	None
<b>Excitation</b>	10V maximum	<b>Crosstalk</b>	< 2% on all channels
<b>Fx, Fy, Fz hysteresis</b>	± 0.2% full scale output	<b>Fx, Fy, Fz non-linearity</b>	± 0.2% full scale output

Channel	Fx	Fy	Fz	Units	Mx	My	Mz	Units
Capacity	445	445	445	N	17	34	34	N-m
Sensitivity	2.7	2.7	0.674	µv/v-N	101	24.8	23.03	µv/v-N-m
Natural frequency	500	350	500	Hz	-	-	-	Hz
Stiffness (X 105)	61.37	43.83	526	N/m	-	-	-	N-m/rad

Resolution *To determine the resolution of your system, please use our [Output Calculator](#).*

Published specifications subject to change without notice.

Last modified:2016-08-23

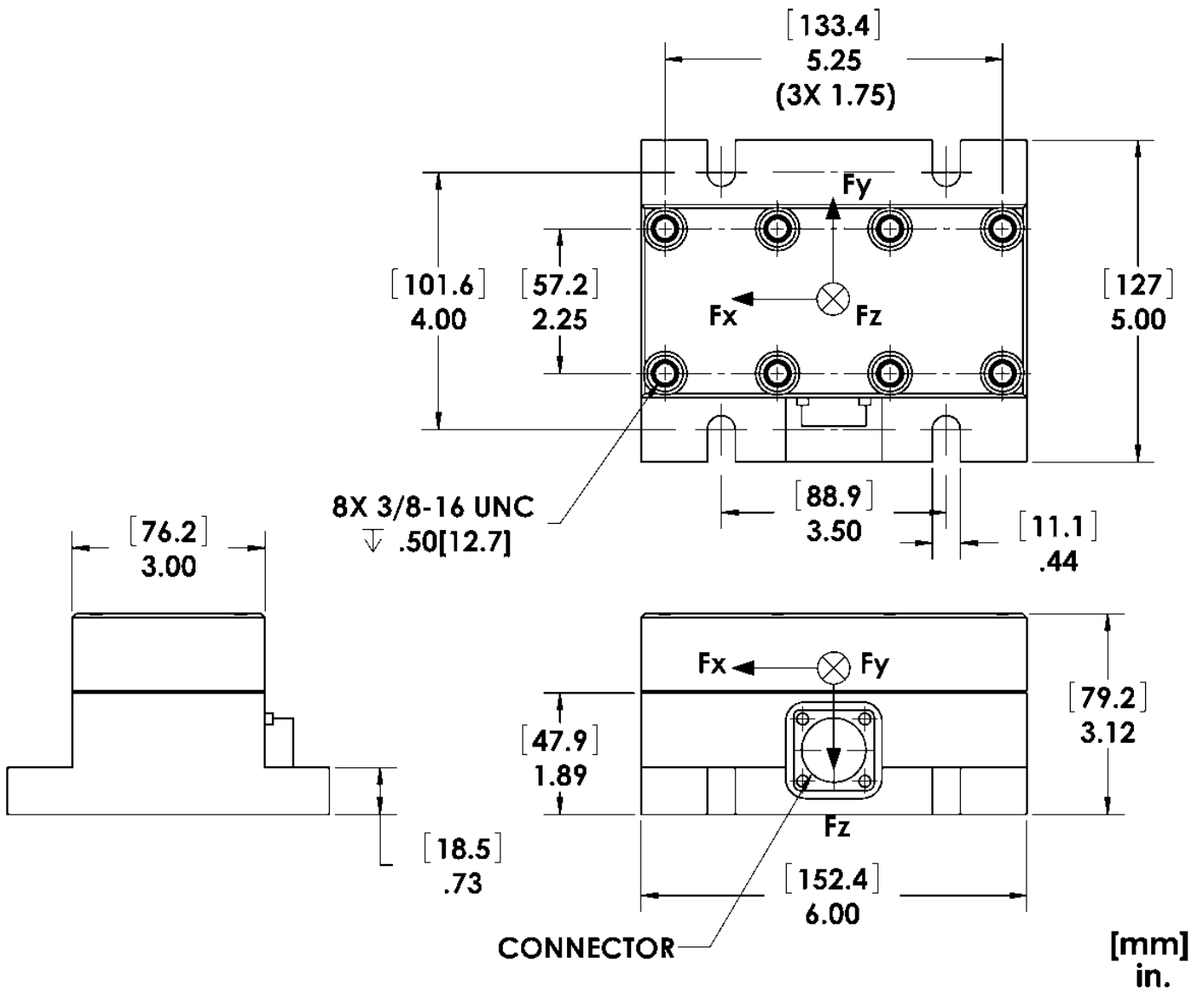
## TECHNICAL DRAWINGS

Footprint Drawing (click on image to enlarge)

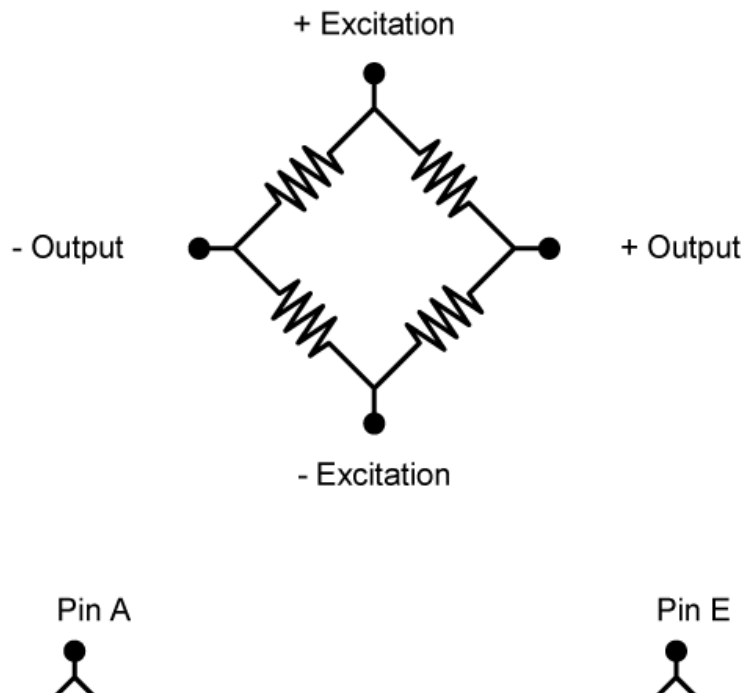
Electrical Drawing (click on image to enlarge)

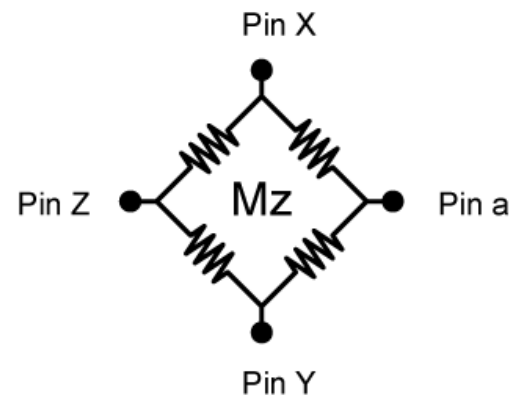
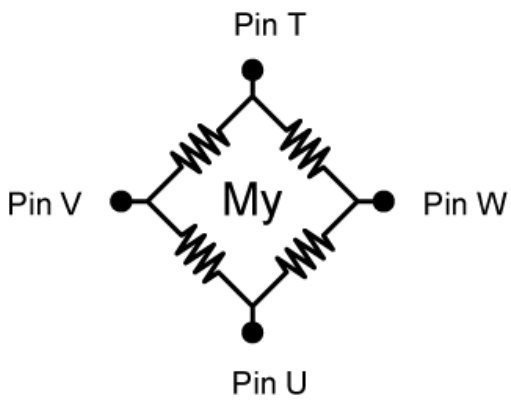
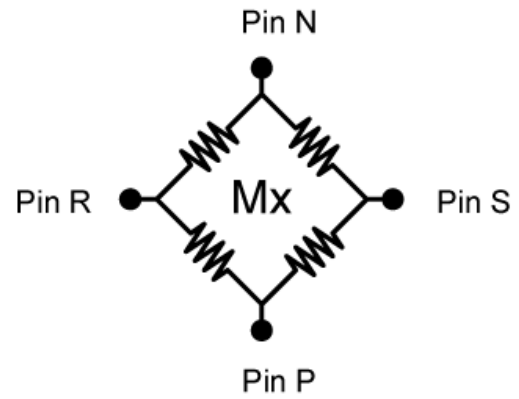
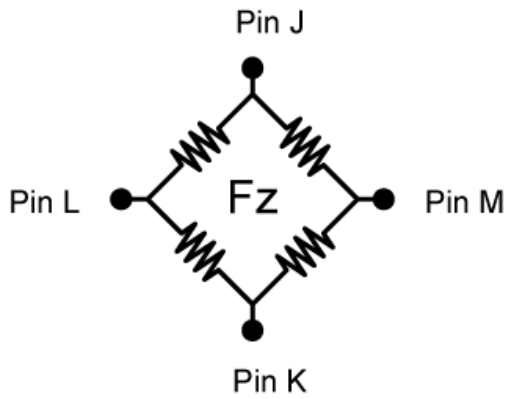
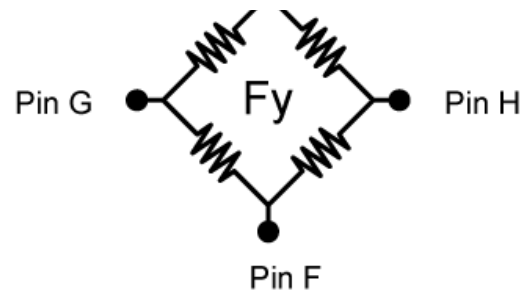
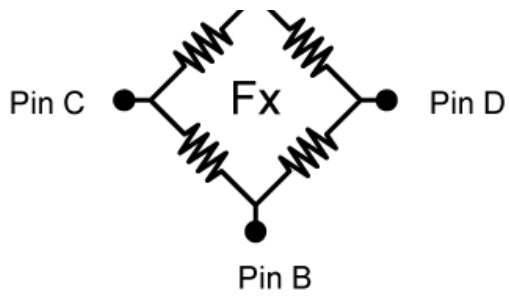
TECHNICAL DRAWING

Footprint Drawing



Electrical Drawing





Bridges Fx; Fy; Fz; Mx; My; Mz = 700 ohms

**Connector Type:**

Souriau 851-02E16-26P50-44