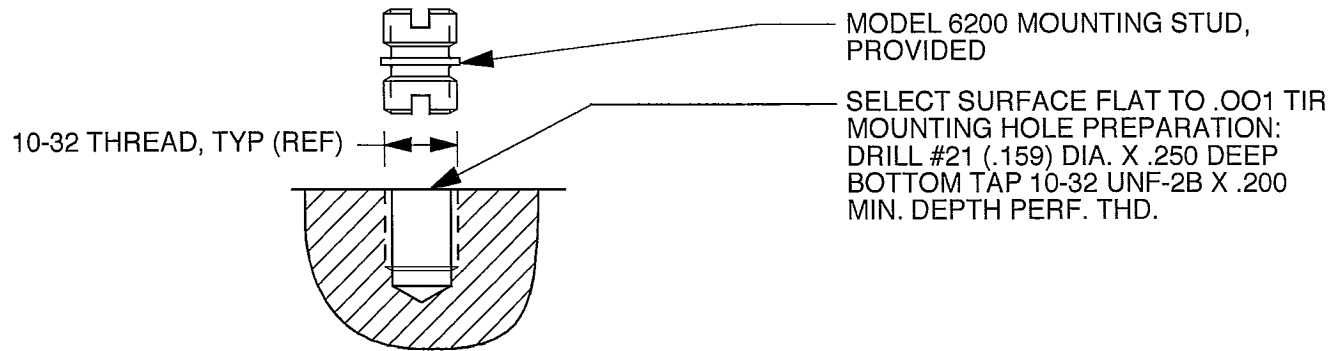
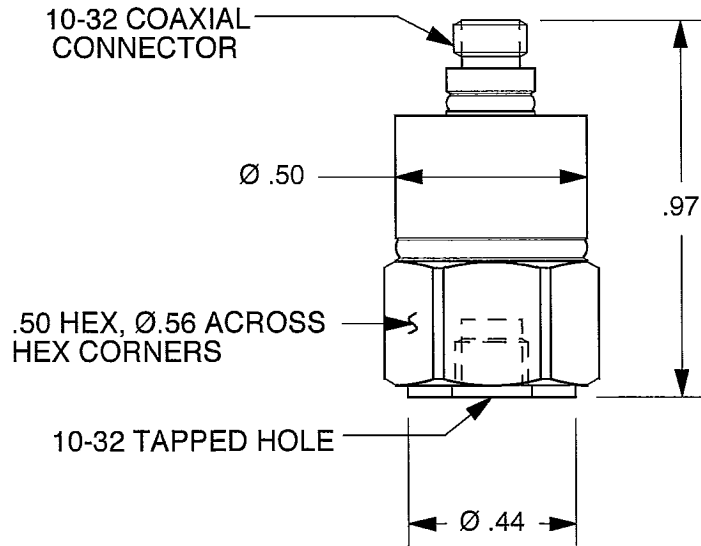


DYTRAN PROPRIETARY AND CONFIDENTIAL
 THE INFORMATION CONTAINED IN THIS DRAWING IS THE SOLE PROPERTY OF
 DYTRAN INSTRUMENTS, INC. AND ANY REPRODUCTION IN PART OR AS A
 WHOLE OR ANY OTHER DISSEMINATION OF THIS INFORMATION WITHOUT THE
 WRITTEN PERMISSION OF DYTRAN INSTRUMENTS, INC. IS PROHIBITED.

REV	ECN	DESCRIPTION	BY/DATE	CHK	APPR
-	-	INITIAL RELEASE	NC/9-27-00		
A	10264	UPDATED DRAWING FORMAT	NC/9-11-13	MS	RK



3. SEAL: HERMETIC.
2. CASE MATERIAL: 300 SERIES STAINLESS STEEL, NON-MAGNETIC.
1. WEIGHT: 14 GRAMS.

EXCEPT AS OTHERWISE NOTED

ALL DIMENSIONS IN INCHES
 TOLERANCE: .XXX = ± .005 .XX = ± .01

SURFACE FINISH
 EXCEPT AS NOTED 63 ✓

BREAK EDGES TO DEBURR .003 MAX
 RADIUS OR CHAMFER

THESE DIAS ⊙ TO .002 T.I.R.

FILLETS - .003 MAX RAD.

		MASTER ONLY IF IN RED		CHATSWORTH, CA.	
SCALE 2X	DESIGN	DATE			
DRAWN	DATE	PART NO. 3152C2			
CHECKED N.C.	DATE R.A.	MAT'L			REV A
APPROVED RK	DATE 9/18/13	NEXT ASSEMBLY	USED ON	MODEL 3152C2	
TITLE OUTLINE/INSTALLATION DRAWING, MODEL 3152C2			DWG NO. 127-3152C2		
SHEET 1 OF 1					



- CHARGE MODE
- HIGH TEMPERATURE
- HERMETICALLY SEALED

	ENGLISH		SI	
PHYSICAL				
Weight, Max.	0.5	oz	14	grams
Connector, Type	10-32 UNF-2A		10-32 UNF-2A	
Material, Housing/Connector	300 Series		300 Series	
Sensing Element	Ceramic		Ceramic	
PERFORMANCE				
Range, F.S.	[1]	g	[1]	m/s ²
Sensitivity, +20%/-25% [2]	4	pC/g	0.4	pC/m/s ²
Frequency Response, ±10%	[3] to 5000	Hz	[3] to 5000	Hz
Mounted Resonant Frequency	25	kHz	25	kHz
Linearity [4]	±2	% F.S.	±2	% F.S.
Maximum Transverse Sensitivity	5	%	5	%
ENVIRONMENTAL				
Maximum Vibration	±700	Gpeak	±6867	m/s ² peak
Maximum Shock	±3000	Gpeak	±29430	m/s ² peak
Temperature Range	-65 to +500	°F	-54 to +260	°C
Coefficient of Thermal Sensitivity	.04	%/°F	0.072	%/°C
Seal	Hermetic		Hermetic	
ELECTRICAL				
Capacitance, Nom	550	pF	550	pF
Output Polarity	Negative		Negative	

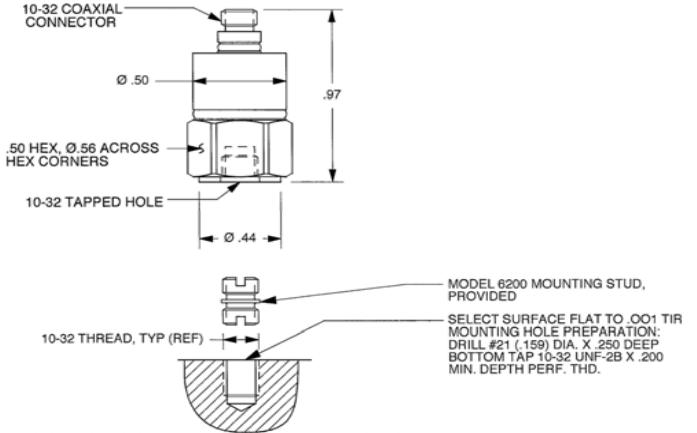
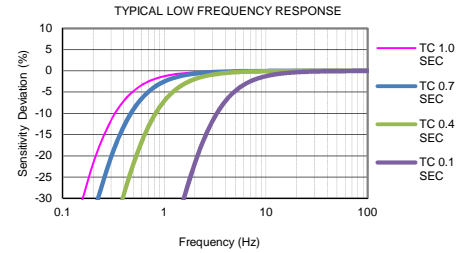
This family also includes:

Model	Sensitivity (mV/g)	Frequency Response (Hz)	Time Constant (Sec)	Operating Temp (°F)

Refer to the performance specifications of the products in this family for detailed description

- Supplied Accessories:**
- 1) Accredited calibration certificate (ISO 17025)
 - 2) Model 6200 Mounting Stud

- Notes:**
- [1] This parameter depends on the gain settings of the charge amplifier used.
 - [2] Measured at 100Hz, 1 Grms per ISA RP 37.2.
 - [3] Low frequency response is a function of the charge amplifier discharge time constant.
 - [4] Measured using zero-based straight line method, % of F.S. or any lesser range.
 - [5] In the interest of constant product improvement, we reserve the right to change specifications without notice.
 - [6] CE certified **CE**



Units on the line drawing are in inches, units in brackets are in millimeters. Refer to 127-3152C2 or more information.



21592 Marilla Street, Chatsworth, California 91311 Phone: 818.700.7818 Fax: 818.700.7880 www.dytran.com
For permission to reprint this content, please contact info@dytran.com