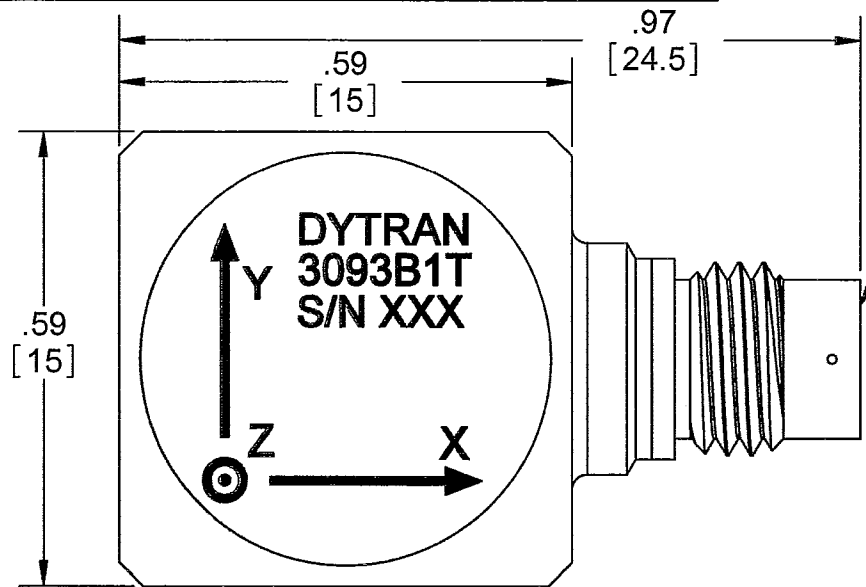


PROPRIETARY AND CONFIDENTIAL

THE INFORMATION CONTAINED IN THIS DRAWING IS THE SOLE PROPERTY OF DYTRAN INSTRUMENTS INC. ANY REPRODUCTION IN PART OR AS A WHOLE WITHOUT THE WRITTEN PERMISSION OF DYTRAN INSTRUMENTS INC. IS PROHIBITED

REVISIONS

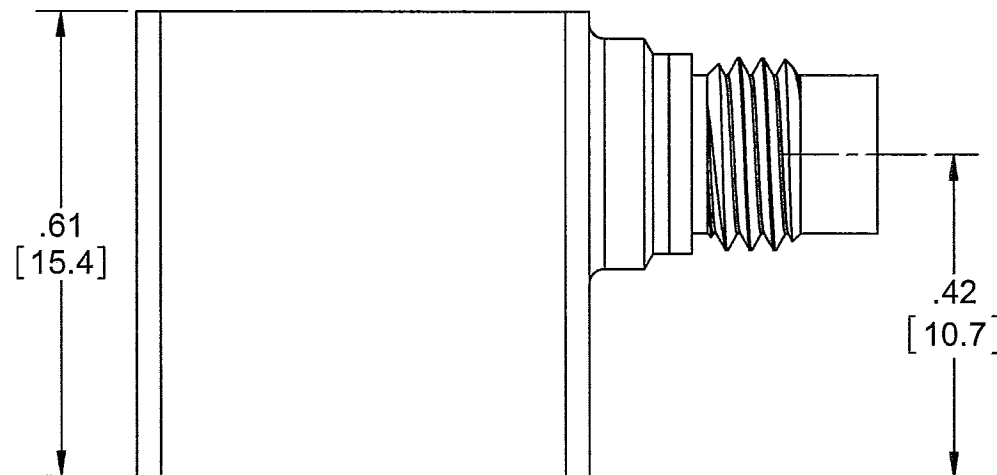
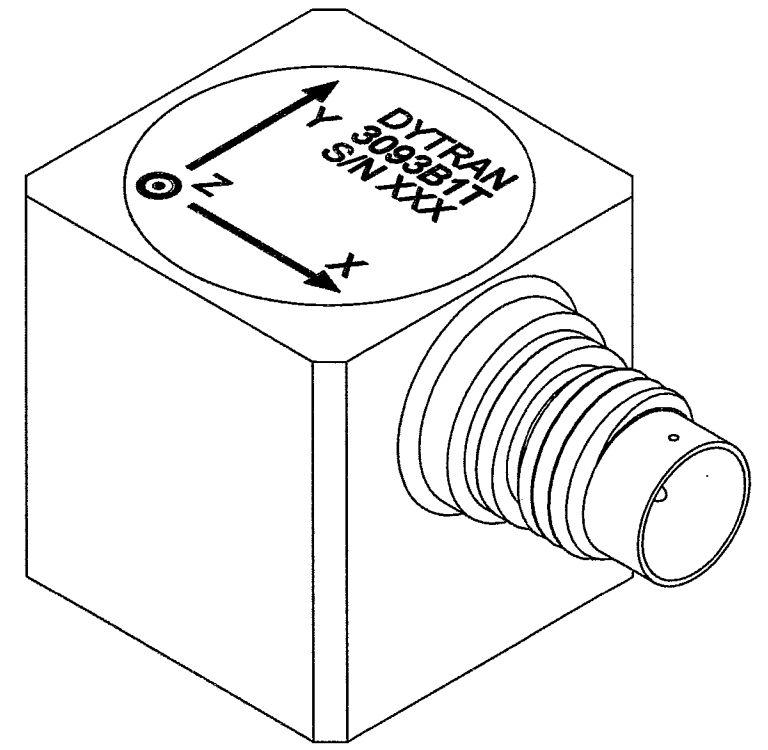
REV.	ECN	DESCRIPTION	BY/DATE	CHK	APPR
A	5233	INITIAL RELEASE	DV, 5/12/08	CES	DV
B	5297	REVISED CONNECTOR PINOUTS	JS 06/18/08	RA	DV
C	9425	ADDED: 6200 MTG STUD & MTG SURFACE PREPARATION, NOTE 4	JS 12/11/12	AB	DV



CONNECTOR MATES WITH DYTRAN CABLE ASSY 6430AXX (XX DENOTES LENGTH IN FEET)

3  
AXIS 2 (+Y)

3  
AXIS 1 (+X)



GROUND RETURN, COMMON

SIG/PWR AXIS 1 (X)

SIG/PWR AXIS 3 (Z)

SIG/PWR AXIS 2 (Y)

MOUNTING SURFACE

MODEL 6200 MTG STUD (SUPPLIED)

10-32 X .15 THD

MOUNTING SURFACE PREPARATION:  
SELECT SURFACE FLAT TO .001 TIR  
TAP 10-32 UNF-2B X .200 MIN THD DEPTH.  
RECOMMENDED TORQUE 10-12 LB-IN.

4. ENVIRONMENTAL SEAL: HERMETIC

3 (+) SIGNS INDICATE SENSITIVE AXIS AND DIRECTION OF INPUT ACCELERATION FOR POSITIVE OUTPUT SIGNAL.

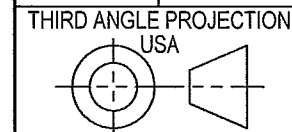
2. WEIGHT 10 GRAMS.

1. MATERIAL TI 6AL-4V.

NOTES: UNLESS OTHERWISE SPECIFIED

DRILL HOLE SIZE	TOLERANCE
.0135 THRU .125	+0.04 / -.001
.1260 THRU .250	+0.05 / -.001
.2510 THRU .500	+0.06 / -.001
.5010 THRU .750	+0.08 / -.001
.7510 THRU 1.000	+0.10 / -.001
1.001 THRU 2.000	+0.12 / -.001

UNLESS OTHERWISE SPECIFIED:  
INTERPRET DIM & TOL PER ASME Y14.5M - 1994.  
REMOVE BURRS.  
COUNTERSINK INTERNAL THDS 90° TO MAJOR DIA.  
CHAM EXT THDS 45° TO MINOR DIA.  
THD LENGTHS AND DEPTHS ARE FOR MIN FULL THDS.  
THDS PER MIL-S-7742.  
DIMENSIONS APPLY AFTER FINISHING ALL MACHINED SURFACES. 63  
TOTAL RUNOUT WITHIN .005.  
BREAK SHARP EDGES .005 TO .010.  
MACHINED FILLET RADII .005 TO .015.  
WELDING SYMBOLS PER AWS A2.4.  
ABBREVIATIONS PER MIL-STD-12.



UNLESS OTHERWISE SPECIFIED:  
DIMENSIONS ARE IN INCHES.  
TOLERANCES ARE:  
DECIMALS .XX ± .010 ANGLES ± 1°  
.XXX ± .005

MATERIAL:

FINISH:

DO NOT SCALE DRAWING

CONTRACT NO.

APPROVALS

DATE

ORIG

JS

05/12/08

CHK

CES

05/21/08

APP

DV

05/21/08

APP

DV

12/26/12



TITLE:

OUTLINE/ INSTALLATION DRAWING MODEL 3093B1T

SIZE

B

CAGE CODE 2W033

DWG NO

127-3093B1T

REV

C

SCALE: 4:1

SOLIDWORKS

SHEET 1 of 1

## SPECIFICATIONS, MODEL 3093B1T TRIAXIAL ACCELEROMETER

SPECIFICATIONS	VALUE	UNITS
RANGE, F.S. (each axis, for $\pm 5$ volts out)	$\pm 50$	G
SENSITIVITY, +15 -10% [1]	100	mV/G
FREQUENCY RESPONSE, +/- 10%	2 to 5000	Hz
ELEMENT NATURAL FREQUENCY	>30	kHz
DISCHARGE TIME CONSTANT	0.5 to 1.5	SEC
EQUIVALENT ELECTRICAL NOISE	.0007	G, RMS
LINEARITY [2]	1	%F.S.
TRANSVERSE SENSITIVITY, MAX,	5	%
OUTPUT BIAS VOLTAGE	+11 to +13	VDC
OUTPUT IMPEDANCE, TYP.	100	OHMS
TEMPERATURE RANGE	-60 to +180	°F
COEFFICIENT OF THERMAL SENSITIVITY	.03	%/°F
MAXIMUM VIBRATION	+/- 100	G
MAXIMUM SHOCK	500	G
SIZE (HEIGHT x WIDTH x DEPTH)	0.61 x .59 x .59	INCHES
WEIGHT	10.0	GRAMS
CONNECTOR	4-PIN [3]	
SUPPLY CURRENT RANGE, (each axis) [4]	2-to 20	mA
COMPLIANCE (SUPPLY) VOLTAGE RANGE (each axis)	+18 to +30	VDC
MATERIAL, HOUSING/CONNECTOR	TI 6AL-4V	TITANIUM ALLOY
ENVIRONMENTAL SEAL	HERMETIC	
MOUNTING [5]	10-32 TAPPED HOLE	
GROUND ISOLATION	10, MIN.	MEGOHMS
TED S TEMPLATE	1451.4 V1.0	

[1] Reference sensitivity measured at 100 Hz, 1 G RMS per ISA RP 37.2

[2] Linearity is % of specified full scale (or any lesser full-scale range), zero-based best fit straight-line method.

[3] Connector mates with Dytran cable assy. Model 6430AXX. (XX = length in feet)

[4] Power only with Dytran LIVM power unit or other Dytran-compatible constant current type power unit. If power is applied without current limiting protection, the internal amplifier will be immediately destroyed.

[5] Case ground isolation is achieved by internal means.