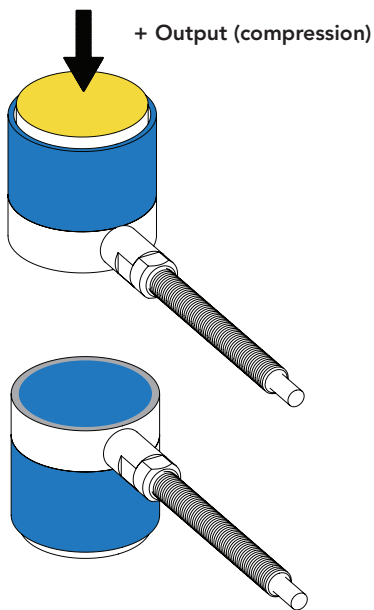




FEATURES

- Fast response time,
- Superior natural frequency
- Low deflection
- Small profile for tight spaces

- Active end
- Fixed end
- Non-loading surface, do not contact



SPECIFICATIONS

PERFORMANCE

Nonlinearity	±1% of RO
Hysteresis	±1% of RO
Nonrepeatability	±0.5% of RO

ELECTRICAL

Rated Output (RO)	1.3 mV/V (2000 lb) 2 mV/V (3000–5000 lb) nom
Excitation (VDC or VAC)	18 max
Bridge Resistance	350 Ohm nom
Insulation Resistance	≥500 MOhm @ 50 VDC
Connection	#29 AWG, 4 conductor, spiral shielded Teflon cable 10 ft [3 m] long

Wiring Code WC1

MECHANICAL

Weight	0.1 lb [45 g]
Safe Overload	150% of RO
Material	17-4 PH stainless-steel
IP Rating	IP64

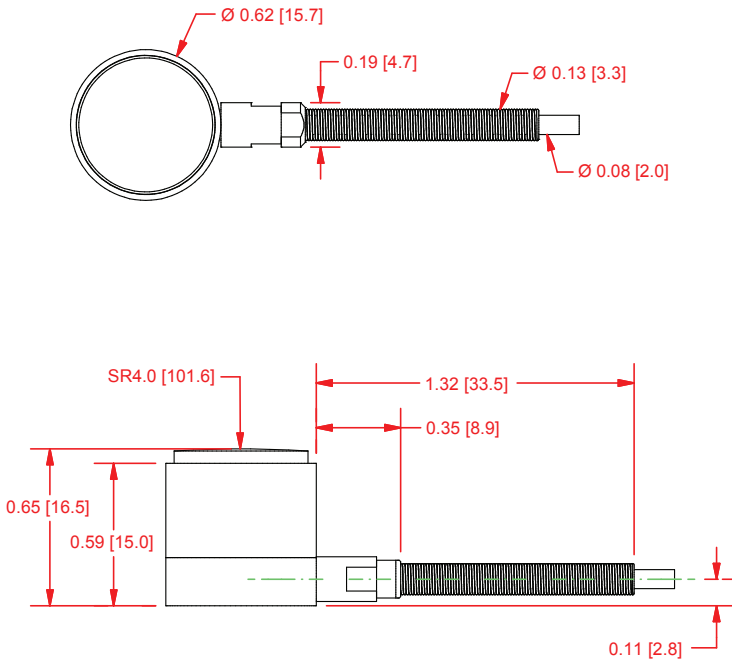
TEMPERATURE

Operating Temperature	-60 to 200°F [-50 to 93°C]
Compensated Temperature	60 to 160°F [15 to 72°C]
Temperature Shift Zero	±0.01% of RO/°F [0.018% of RO/°C]
Temperature Shift Span	±0.02% of Load/°F [0.036% of Load/°C]

CALIBRATION

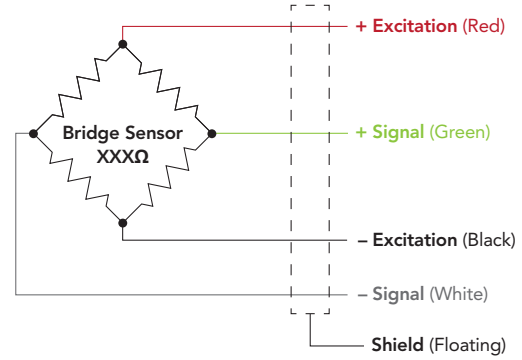
Calibration Test Excitation	10 VDC
Calibration (standard)	5-pt compression
Shunt Calibration Value	100 kOhm (2000 lb) 60.4 kOhm (3000–5000 lb)

DIMENSIONS inches [mm]



WIRING CODE (WC1 WITH SHIELD)

RED	+ EXCITATION
BLACK	- EXCITATION
GREEN	+ SIGNAL
WHITE	- SIGNAL
SHIELD	FLOATING



CAPACITIES

ITEM #	lb	N	Deflection (in)	Natural Frequency (Hz)
FSH03814	2000	8896	0.001	38000
FSH01766	3000	13344	0.002	38000
FSH01767	5000	22240	0.002	43000

Drawing Number: FI1168-C

FUTEK reserves the right to modify its design and specifications without notice. Please visit www.futek.com/salesterms for complete terms and conditions.

10 Thomas, Irvine, CA 92618 USA

Tel: (949) 465-0900

Fax: (949) 465-0905

www.futek.com



U.S. Manufacturer